

# SILVERLINE

## 3413 Luna Countertop Extractor

Version

780mm—Black Glass



This photo is purely for information, it may not correspond to the selected version

### FEATURES

Black Glass  
Stainless Steel  
Touch Control  
Removable Liquid Channel  
Automatic Shut Down  
Child Lock  
Residual Heat Function  
9 Power Levels

### TECHNICAL FEATURES

**Installation Type**  
Countertop

**Dimensions**  
780mm

**Finish**  
Black Glass & Stainless Steel

**Max Flow Rate**  
314-643 m<sup>3</sup>/h

**Type of Control**  
Touch Control

**Speed Settings**  
4 Speeds

**Lighting**  
N/A

**Filter**  
Stainless Steel Cassette Filter

### Cooking Zones

Front Left: 177x210mm / 1.4 (2.0)kW\*  
Rear Left: 177x210mm / 1.4kW  
Front Right: 177x210mm / 1.4kW  
Rear Right: 177x210mm / 2.0 (3.0)kW\*

\*Power when the power boost function is activated.

### PACKAGING

**Net Weight**  
12kg

**Volume**  
0.16m<sup>3</sup>/h

**Packaging Size**  
Width - 625mm  
Depth - 555mm  
Height- 465mm

### CONSUMPTION AND CONNECTION FEATURES

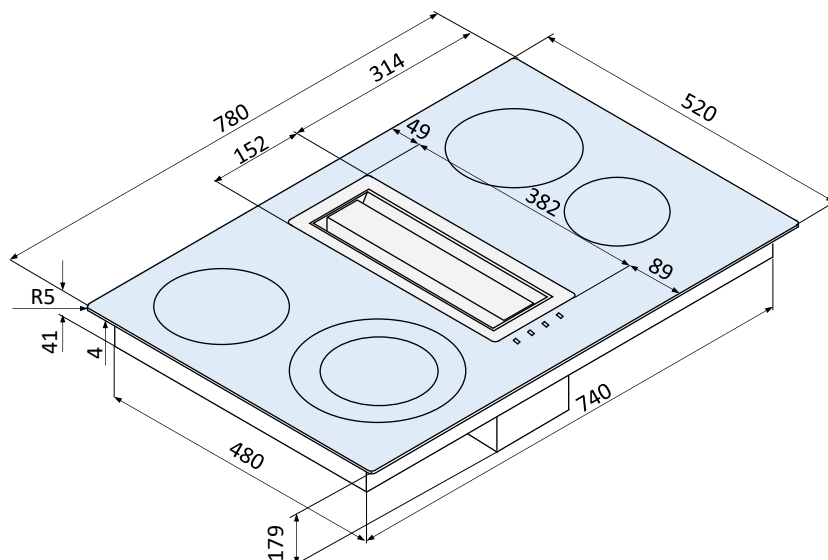
**Total Connected Load**  
6400w

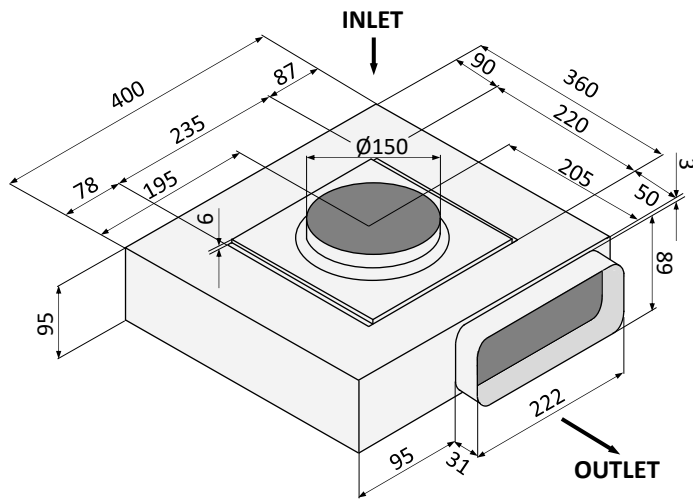
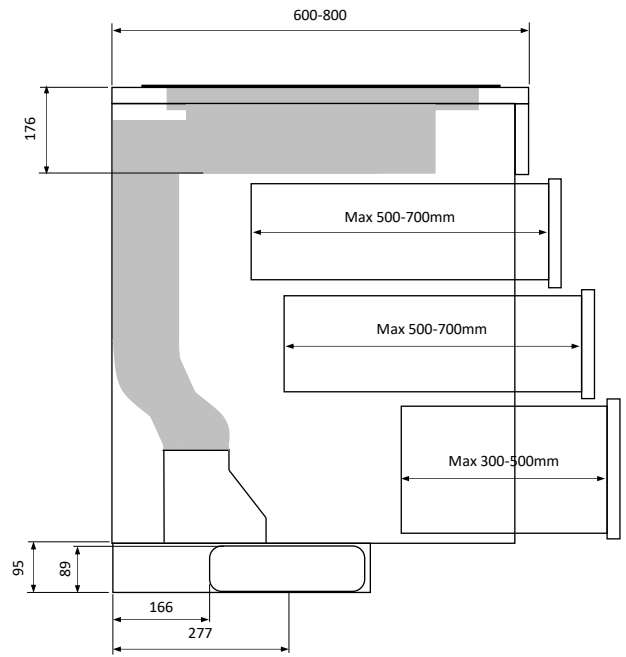
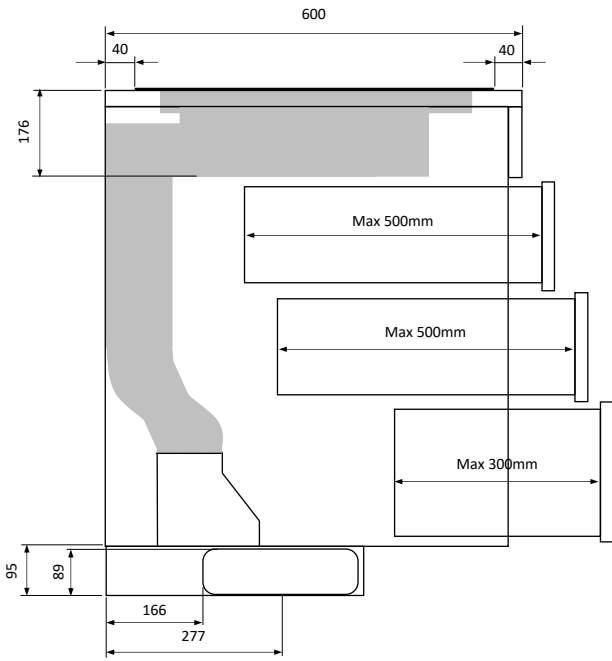
**Current**  
Extractor: 3A  
Hob: 32A

**Voltage**  
220-240V

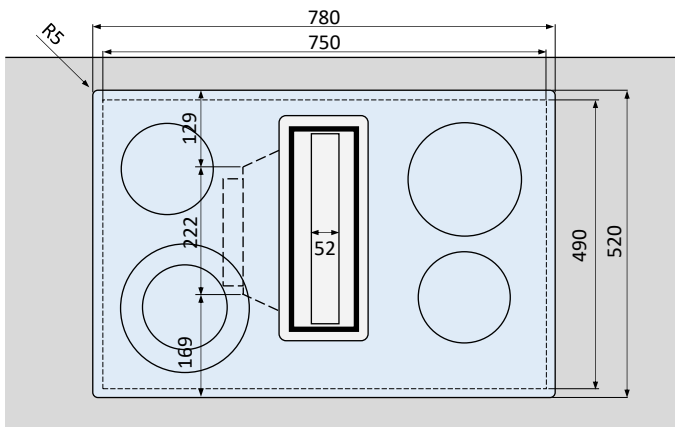
### Motor Technical Data

<b>Airflow m<sup>3</sup>/h</b>	314-643
<b>Pressure Pa</b>	434
<b>Noise dB</b>	54-71
<b>Power W</b>	135
<b>Outlet Width mm</b>	220x90
<b>Energy Class</b>	A





**Surface Mounted**



**Flush Mounted**

